



CRYSTAL TOUCH CT9

3.5" Touch Screen LINUX Terminal
IP Web-based Smart Card/Mobile ID
Access Control Terminal

STYLISH COLORFUL TOUCH READER

CRYSTAL TOUCH is stylish and modern smart card terminal with 3.5" touch screen to display the activities with text and symbols in combination and intuitive to operate by lightly touch. With embedded LINUX OS, CT9 is open and flexible for developer to write applications and customize own UI design.



ADVANCED SECURE IDENTIFICATION

CRYSTAL TOUCH is compliant with dual frequency 125KHz & 13.56MHz contactless, to read CSN or read & write encrypted protected data from the full range of Mifare®, Mifare® Plus, DESFire® EV1/EV2, Ultralight® (C) smart card with AES encryption, protected with SAM modules for secure data encryption when encrypted.

MOBILE ID

Compliant to ISO18092 NFC & encrypted BLE, CRYSTAL TOUCH supports secure level dual authentication of identity, supported through Android/IOS smart phone mobile ID and entry of personal identification number (PIN) through an integrated 12-key touch keypad.

MULTIPLE WORKING MODES

CRYSTAL TOUCH is designed with 12-key touch screen keypad and supports multiple working modes combining PIN only, Card ID/Mobile ID only, PIN plus or Card ID/Mobile ID.

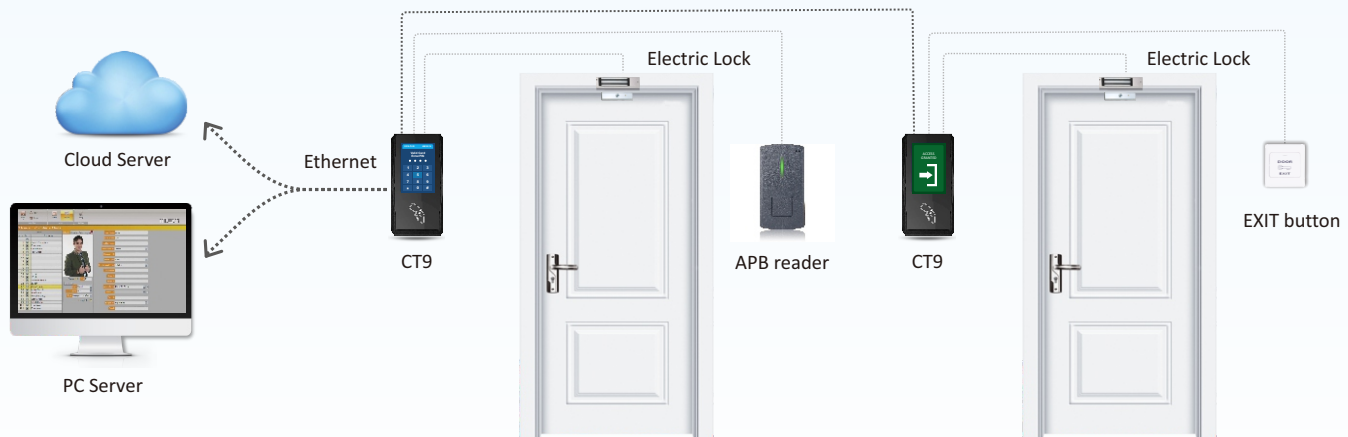
NETWORK SERVER MANAGED TERMINAL

CRYSTAL TOUCH is with embedded webserver, TCP/IP & relay output to build IP online server management system, available to get/post commands to server. CT9 supports common HTTP and HTTPS over network to enhance secure communication using TLS encryption.

PROTECTION AGAINST DESTRUCTION

To protect against tampering, tamper alarm can activate local output on reader and transmit as a command to overall unit accorded to actual protocol specification. It can't be manipulated without providing tamper alarm when splitting or breaking away from the wall.

CRYSTAL TOUCH is server central managed IP terminal for both network and standalone mode with rough and elegant design for both indoor and outdoor. Under IP network, CT9 read and send the smart card/mobile ID or pin code to PC/Cloud server to identify the authorization and send back the command to control reader relay for door access control. With massive memory, CT9 is also smart terminal to support 2,000 user cards and 100,000 events under standalone mode.

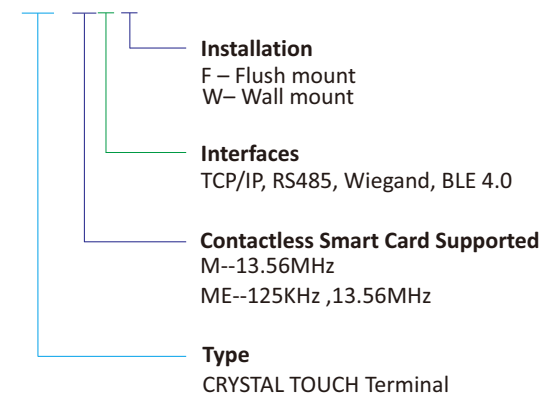


► SPECIFICATION

CRYSTAL TOUCH	CT9
Operating System	LINUX
Memory	64MB DDR2 SDRAM, 128MB SLC Nand Flash
Keypad	Touch PIN pad
ISO-protocol	125KHz, 13.56MHz ISO14443A/B, ISO18092 NFC
Contactless cards	125KHz Prox, 125KHz EM, 13.56MHz Mifare® Classic, Ultralight®, Ultralight®C, Mifare® Plus, DESFire® EV1/EV2, NFC tags (T2T, T4T)
Secure Access Module	ISO7816 (T=0, T=1) 1 SAM module, more on request
Card Users	2000
Events	100,000
Standalone	Yes
Network	TCP/IP
APB	External Wiegand Reader
Operation Mode	Card, Pincode, Mobile ID
Communication Interface	TCP/IP, RS485, Wiegand Input, BLE 4.0
Power Supply	9-30V DC
Current consumption	Average 800mA@ 12V DC
Indicator	Controllable buzzer and TP display, speaker with controllable volume
I/O Port	1*I/O Port, 2*Wiegand(in) 2 inputs – Door contact, door exit

► ORDER CODE

CT9-MET-X



► SOFTWARE DEVELOPMENT KIT & HARDWARE TESTING PACKAGE

SDK offers all necessary development resources including API, DEMO software, program example, developing environment guidance. Plug & play HTP is to build full testing environment for reader testing and upgrading.

